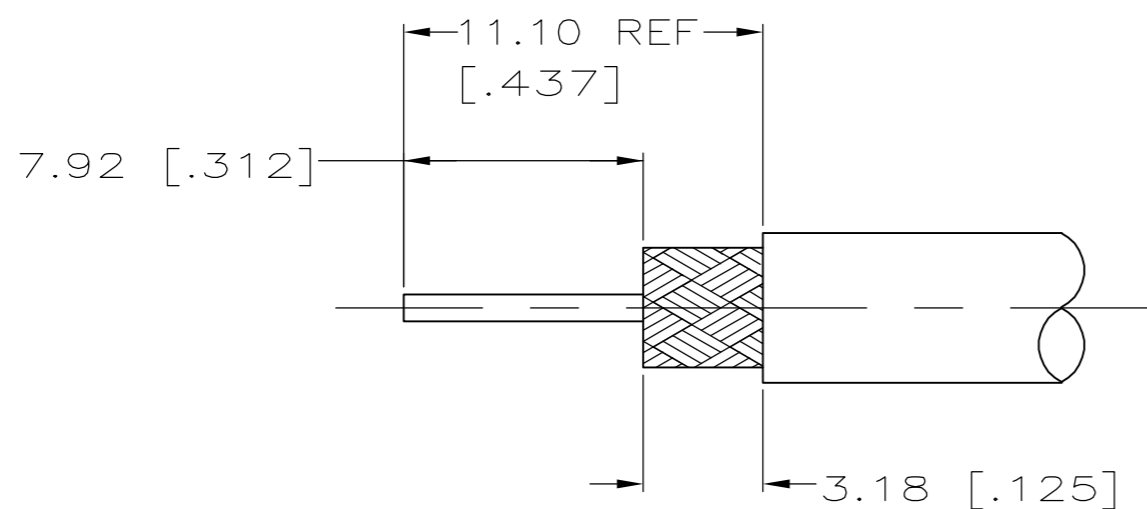
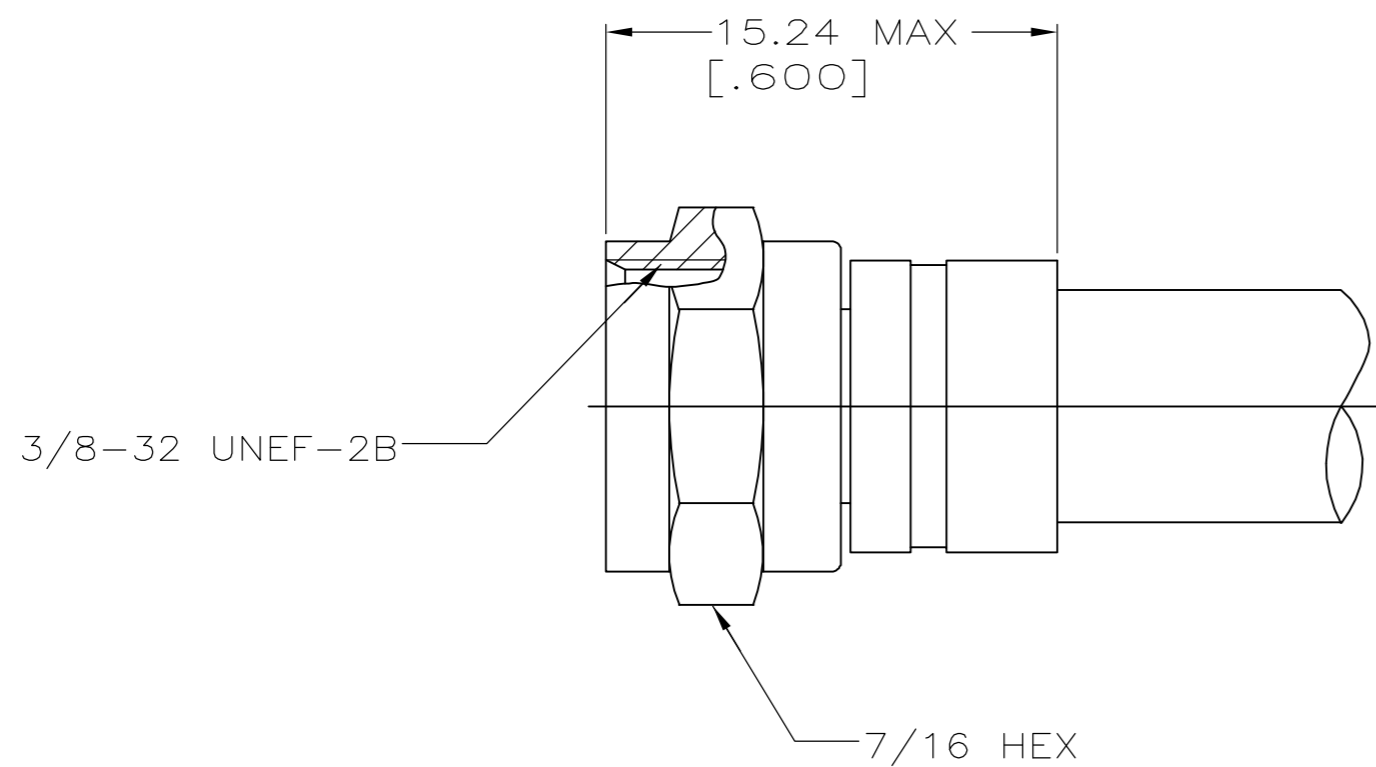


THIS DRAWING IS UNPUBLISHED. RELEASED FOR PUBLICATION
 © COPYRIGHT BY TYCO ELECTRONICS CORPORATION. ALL RIGHTS RESERVED.

LOC	DIST	REVISIONS			
P	LTR	DESCRIPTION	DATE	DWN	APVD
AJ	16	G	REVISED PER EC 0514-0456-04	13DEC05	BL JL

- ① BRASS PER QQ-B-626
- ② NICKEL PL PER QQ-N-290
- ③ FOR USE WITH RG-59/U CABLE
- ④ FOR USE WITH RG-6/U CABLE
- ⑤ PACKAGED 10 PER BAG IN WINDOW BOX
- ⑥ PACKAGED 100 PER DISPLAY BAG



RECOMMENDED STRIP LENGTH

SUPERSEDED BY 221539-2	④	⑥	221539-8
	④	⑤	221539-7
SUPERSEDED BY 221539-1	③	⑥	221539-6
SUPERSEDED BY 221539-1	③	⑤	221539-5
OBSOLETE	④		221539-2
OBSOLETE	③		221539-1
		CABLE	PART NUMBER

THIS DRAWING IS A CONTROLLED DOCUMENT.		DWN	J.SHAFER	11-29-88	tyco Electronics	Tyco Electronics Corporation Harrisburg, PA 17105-3608			
DIMENSIONS: INCHES		CHK	P.YEAGER	12-2-88		NAME CONNECTOR,COAXIAL,RF PLUG,SERIES F			
TOLERANCES UNLESS OTHERWISE SPECIFIED:		APVD			PRODUCT SPEC				
0 PLC ± -		APPLICATION SPEC				SIZE	CAGE CODE	DRAWING NO	RESTRICTED TO
1 PLC ± -						A2	00779	C=221539	
2 PLC ± 0.41 [.016]		WEIGHT	-			SCALE	SHEET	1 OF 1	REV
3 PLC ± -						4:1			G
4 PLC ± -									
ANGLES ± -									
FINISH									
①	②								
CUSTOMER DRAWING									